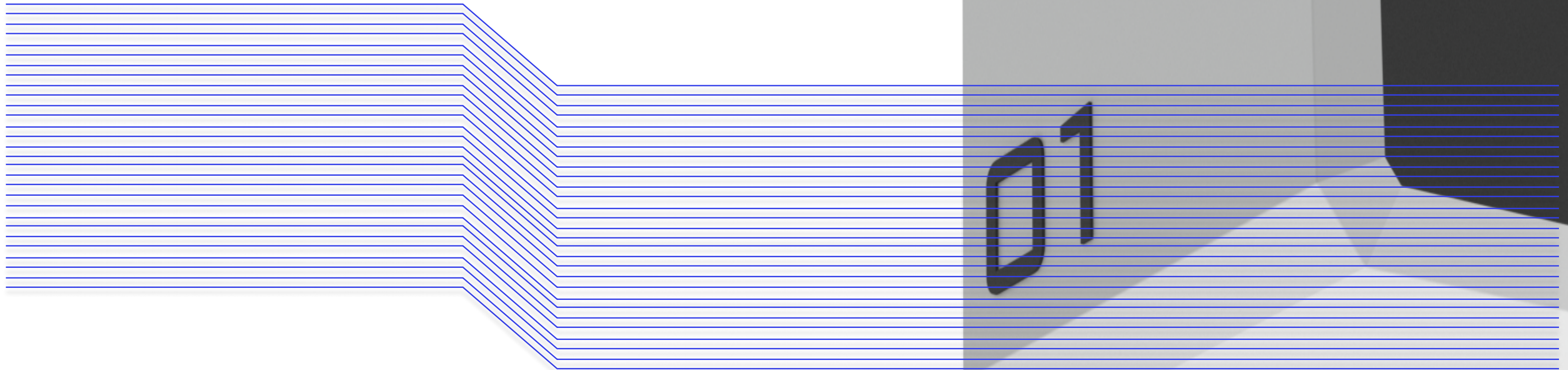




LV Battery

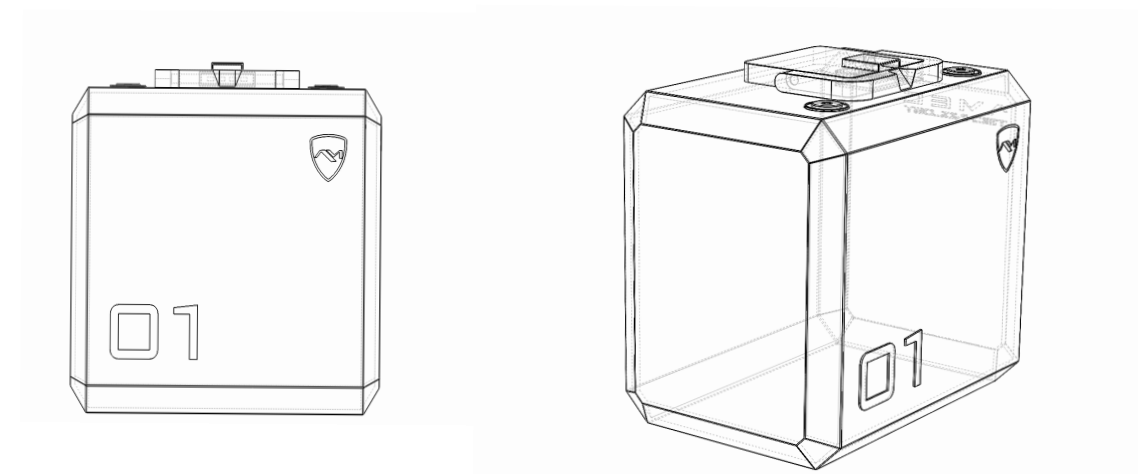
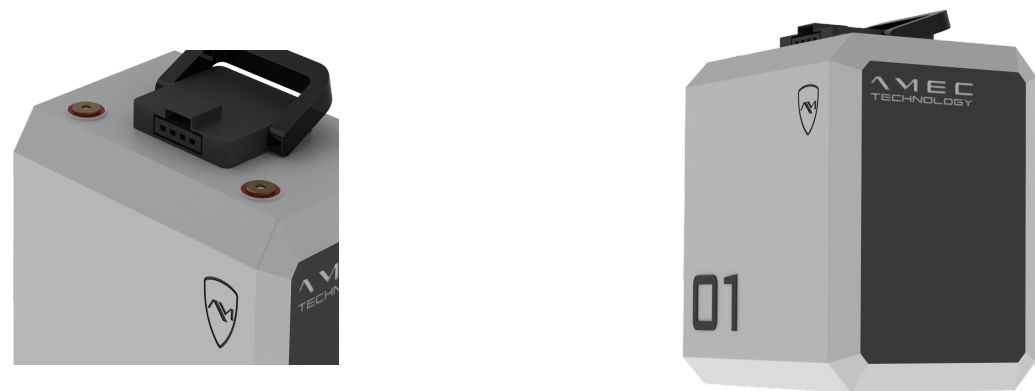
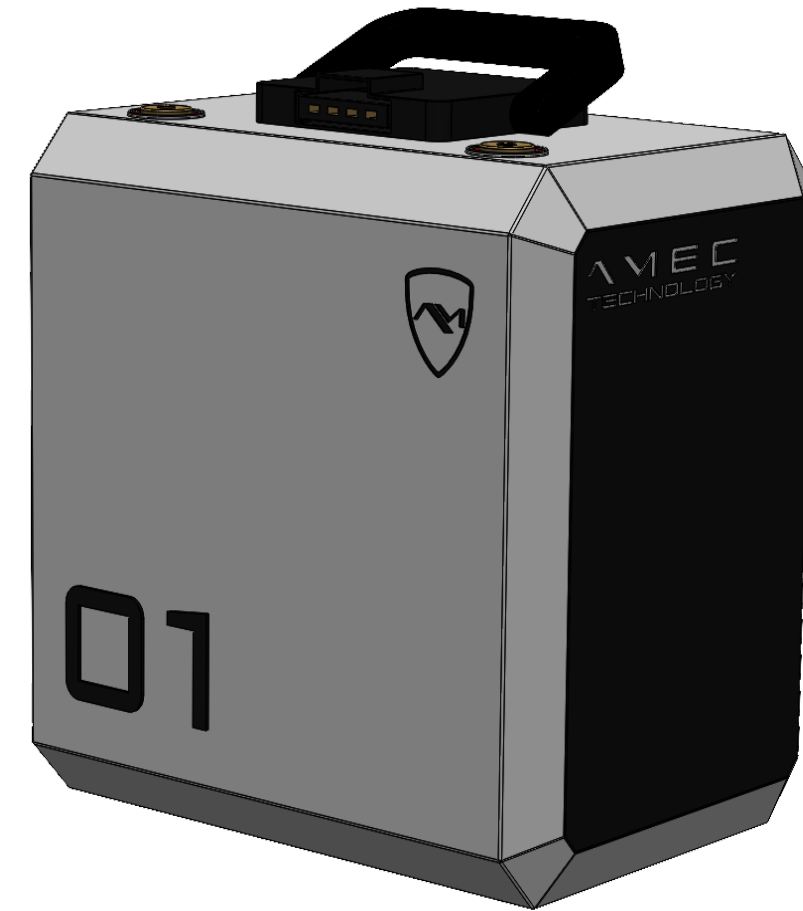


AMEC TECHNOLOGY

ELEVATE YOUR RIDE, EMPOWER YOUR DRIVE: LV BATTERY - LIGHTWEIGHT, PORTABLE ENERGY FOR EFFORTLESS MOBILITY IN YOUR 2W/4W IEE VEHICLE!

THE LV BATTERY REDEFINES ENERGY SOLUTIONS FOR 2W/4W IEE VEHICLES, BOASTING A LIGHTWEIGHT DESIGN AT 6.8 KG. WITH A POTENT 12.8V VOLTAGE, 180A MAXIMUM CURRENT CAPACITY, AND AN AMPLE 768WH ENERGY RESERVOIR, THIS LIFEPO4 CYLINDRICAL BATTERY IS ENGINEERED FOR PRECISION AND PORTABILITY

WHETHER NAVIGATING CITY STREETS ON A 2W SCOOTER OR CRUISING IN A 4W ELECTRIC VEHICLE, THE LV BATTERY'S ECO-FRIENDLY AND APPLICATION-SPECIFIC DESIGN ENSURES OPTIMAL PERFORMANCE, ELEVATING YOUR RIDE WITH SEAMLESS, EMPOWERED MOBILITY.



AMEC TECHNOLOGY

LV BATTERY: EMPOWERING YOUR DRIVE WITH PRECISION AND PORTABILITY

SEAMLESS ENERGY FOR MODERN MOBILITY - LIGHTWEIGHT, POTENT, AND ECO-FRIENDLY FOR 2W/4W IEE VEHICLES!

- TYPE: LIFEPO4 CYLINDRICAL BATTERY
- VOLTAGE: 12.8V
- MAXIMUM CURRENT CAPACITY: 180A
- ENERGY RESERVOIR: 768WH
- WEIGHT: 6.8 KG
- MATERIAL: DURABLE HARD PLASTIC
- DESIGN: LIGHTWEIGHT AND PORTABLE
- APPLICATION: SPECIFICALLY DESIGNED FOR 2W/4W IEE VEHICLES
- PERFORMANCE: OPTIMAL EFFICIENCY FOR EXTENDED JOURNEYS
- ECO-FRIENDLY: SUSTAINABLE ENERGY SOLUTION

POWER

VOLTAGE

WEIGHT

768 WH

12.8 V

6.8 KG

